

蝶阀



乘风流体科技集团

成都成高阀门股份有限公司

成都乘风阀门有限责任公司

硬密封偏心蝶阀

Metal-to-Metal Seal Eccentric Butterfly Valve

该蝶阀为我厂蝶阀系列产品之一，本系列产品采用了世界上最先进的蝶阀设计理论由国内著名阀门专家精心设计制造，可广泛适用于石油、化工、冶金、市政、热力管道、气体管道，用作截断或调节介质流量。本蝶阀有金属密封和软硬双重密封两种结构，结构新颖，密封可靠，启闭灵活，寿命长，使用维修方便，选用不同的执行机构，可方便地实现现场操作和远距离控制。

This butterfly Valve is one of the butterfly valve series of our factory. The series products are designed with the most advanced theory aboratively by famous national valve experts. It can be used widely in the pipeline of oil, chemical industry, metallurgy, civicism, hot power and gas to adjust the flux of medium. The valve owns metal seal and hard-soft double seal. The structure is novelty. The seal is reliable. Open-close is agility. The life-span is long. Use and maintain is convenient. It can be locale operated and remote controlled conveniently by choosing different actuators.

一. 密封原理及特点

I. The theories and characteristics of the seal

☆ 双偏心特点 The double eccentric characteristics

1. 偏心 X: 阀杆旋转轴线与阀体轴线（管道轴线）之间的偏离—**径向偏心**

Eccentric X: The departure between stem's rotation axis and body's axis (pipeline axis) — **radial eccentric.**

2. 偏心 Y: 阀杆旋转轴线与阀座密封面的中径面之间的偏离—**轴向偏心**

Eccentric Y: The departure between stem's rotation axis and diameter face of seat's sealing faces — **axial eccentric.**

偏心 X、Y 的结合使密封付实现接触密封，降低了阀门的开启力矩，减小了蝶板与阀座的摩擦和磨损，可适用于工作压力较低的工况。

The combination of the eccentric X and eccentric Y can make the sealing faces realize contacting seal, reduce the open-close torque of valve, minish the abrasion between the disc and seat. It can be used in the conditions of low working pressure.

☆ 三偏心特点 Tri-eccentric characteristics

1. 偏心 X: 阀杆旋转轴线与阀体轴线（管道轴线）之间的偏离—**径向偏心**

Eccentric X: The departure between stem's rotation axis and body's axis (pipeline axis) — **radial eccentric.**

2. 偏心 Y: 阀杆旋转轴线与阀座密封面的中径面之间的偏离—**轴向偏心**

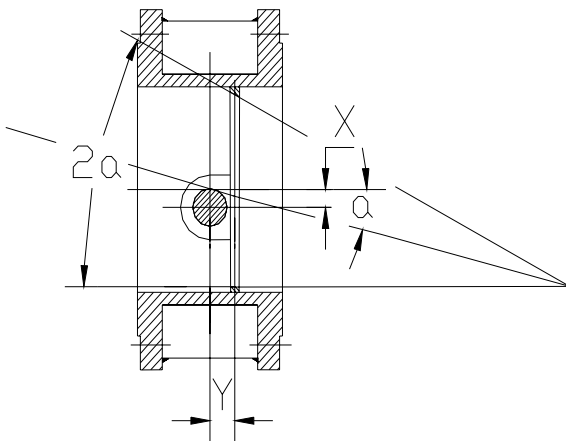
Eccentric Y: The departure between stem's rotation axis and diameter face of seat's sealing faces — **axial eccentric.**

3. 偏心 a: 密封面锥体轴线与阀体轴线（管道轴线）之间的夹角—**角偏心**

Eccentric a: included angle between cone axis of sealing faces and body's axis (pipeline axis) — **angle eccentric.**

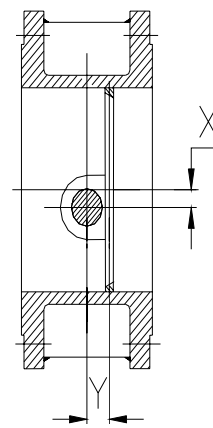
轴向、径向、角偏心的结合产生凸轮效应，增大了密封付的启、闭摩擦角。当阀门开启时，蝶板快速脱离阀座，消除了摩擦磨损，阀门的开启力矩更小，更有效地保护了体板密封面，使整个密封面 360° 均能有效接触，充分保证了密封可靠性，延长了阀门的使用寿命。

The combination of axial eccentric, radial eccentric, angle eccentric brings cam action. This action enlarges the open-close friction angle of sealing faces. When open the valve, the disc disengages the seats quickly. This can avoid the friction and abrasion. And the open-close torque becomes to smaller. It can protect the sealing faces of body and disc at the same time effectively. Subsequently, it makes the whole sealing face contacted in 360° availably, guarantee the reliability of seal fully, and prolong the life-span of the valve.



三偏心蝶阀结构示意图

Tri-eccentric butterfly structure illustration



双偏心蝶阀结构示意图

Double eccentric butterfly structure illustration

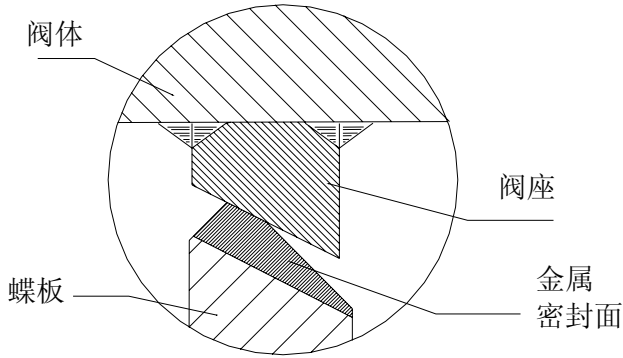
☆ **金属密封**采用高硬度合金作为密封面材料，具有耐磨损、耐腐蚀、耐冲刷、耐高温等特点，使阀门的使用范围更广泛，增强了阀门的使用可靠性。当密封面采用四氟与 1Cr18Ni9Ti 复合层时，由于实现双重密封，使其密封更加稳定可靠。

☆ **Metal-to-Metal seals:** use the high hardness alloy as sealing face's materials. It has several outstanding characteristics, such as: anti-abrasion, anti-cauterization, anti-scour, anti-high

成都乘风阀门有限责任公司

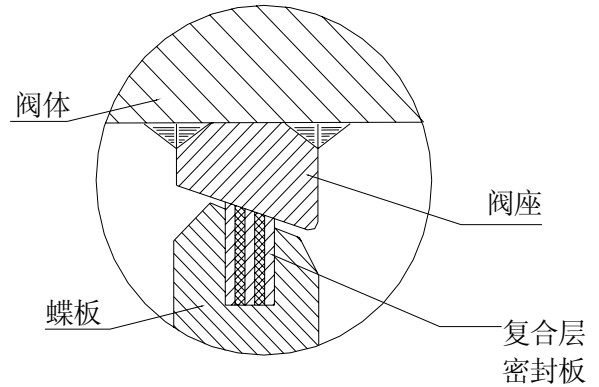
CHENGDU CHENGFENG VALVE CO., LTD.

temperature and so on. It makes the valve can be used more widely. And the valve is more reliable. When the seal faces use PTFE and 1Cr18Ni9Ti composite levels, because of the double seal, the seal is more reliable and stable.



金属密封结构示意图

Metal-to-Metal seals structure illustration



软硬双重密封结构示意图

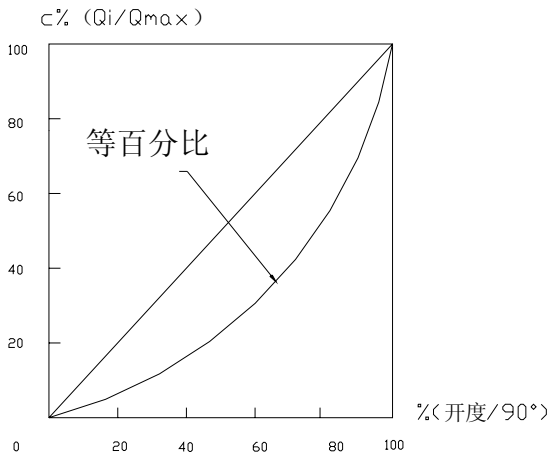
Hard-soft double seal structure illustration

型号 Type	法兰连接 Flange ended	对夹连接 Wafer ended	公称压力 PN (MPa)	公称通径 DN (mm)
双偏心 Double Eccentric	D343E D943E	D373E D973E	0.05~0.60	100~2400
三偏心 Tri-eccentric	D645E D345E D945E DB345E DB945E	D375E D675E D975E	1.0~2.5	100~2800

二. 性能规范

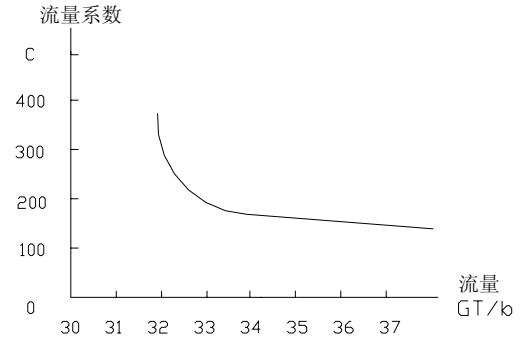
II. Capability and stipulation

公称压力 PN		0.05	0.25	0.6	1.0	1.6	2.5	4.0	MPa
试验压力 Inspection pressure	壳体 Body	0.075	0.375	0.9	1.5	2.4	3.75	6.0	
	密封 Seal	0.055	0.275	0.66	1.1	1.76	2.75	4.4	
适用温度 Suitable Temperature		-29°C ≤ T ≤ 120°C							
		-29°C ≤ T ≤ 280°C							
		-29°C ≤ T ≤ 450°C							
		450°C ≤ T ≤ 600°C							
		-190°C ≤ T ≤ -30°C							
适用介质 Suitable Media		水、蒸汽、酸、碱、石油及石油制品等 Water, steam, acid, alkali, oil, oil products and so on.							



流量特性曲线

Flux Characteristics Curve



阻力特性曲线

Resistance Curve

三. 采用标准

III. Used Standard

标准主题 Item	中国标准 Chinese Standard	国际标准 International Standard	英国标准 UK Standard	美国标准 US Standard
设计制造 Design and Manufacture	JB/T8527		BS5155	ANSI B16.34
结构长度 Structure's Length	GB12221	ISO5752	BS5155	ANSI B16.10
法兰连接 Flanged Ended	GB9113	ISO2084	BS4504	ANSI B16.5
试验验收 Test and Accept	GB/T13927, JB/T9092	ISO5208	BS5146	ANSI B16.104

注:

1. 正常生产执行国标, 特殊要求可根据合同条款执行国际标准、国外先进标准或其它标准。
2. 如需加长杆蝶阀, 指定驱动装置等特殊要求, 请及时告之或在合同中注明。

PS:

1. Normal manufacture perform China standard. Special requirements can accord with international standard, foreign advanced standard or other standards.
2. Your special requirements, such as extended stem, or specified actuators, please indicate them in the contract or tell our sales man.

成都乘风阀门有限责任公司

CHENGDU CHENGFENG VALVE CO., LTD.

四. 主要零件材质

IV. Material of Main Parts

零件名称 Name of Parts		阀体、蝶板 Body, Disc	阀杆 Stem	体、板密封面 The Sealing Faces of Body and Disc	填料 Packing	
材 质 M A T E R I A L	温 度 范 围 T E M P E R A T U R E	-196°C ≤ T ≤ -30°C	LCB, LC2, LC3, CF8, CF8M	1Cr17Ni2, 304, 316	CF8, CF8M, Co-Cr-W 合金 CF8, CF8M, Co-Cr-W alloy	四氟乙烯编织填料 聚四氟乙烯 柔性石墨 TFE Braided Packing PTFE Flexible graphite
	-29°C ≤ T ≤ 450°C	WCB, 20	1Cr13, 2Cr13	1Cr18Ni9Ti 高硬度合金, 1Cr18Ni9Ti 板/F4 复合板 1Cr18Ni9Ti high hardness alloy, 1Cr18Ni9Ti board / F4 composition board	浸油石棉绳, 膨胀石墨 Oil-immersed asbestos rope, Expanded graphite	
	450°C ≤ T ≤ 600°C	ZG1Cr5Mo, CF8, ZG20CrMoV	1Cr18Ni9Ti, 304	1Cr18Ni9Ti, Co-Cr-W 合金, 1Cr18Ni9Ti 板/膨胀石墨 1Cr18Ni9Ti, Co-Cr-W alloy, 1Cr18Ni9Ti board/ expanded graphite	用金属线补强和填 充石墨和石棉编织 填料及膨胀石墨 Strengthened with metal rope and backing graphite and braided asbestos packing and expanded graphite	
	腐蚀性介质 Causticity Medium	CF8, CF3, CF8M, CF3M	304, 304L, 316, 316L	CF8, CF8M, CF3, CF3M, CoCrW 及聚四氟的复合板 CF8, CF8M, CF3, CF3M, CoCrW and PTFE composition board	四氟乙烯, 耐酸石棉 TFE, acid resistant asbest	
当 PN>1.6MPa, 壳体材质为 WCB 或 20 时, 可省略 When PN>1.6Mpa, The body material is WCB or 20. It can be passed over.						

阀体材料代号 Symbol of Body's Material

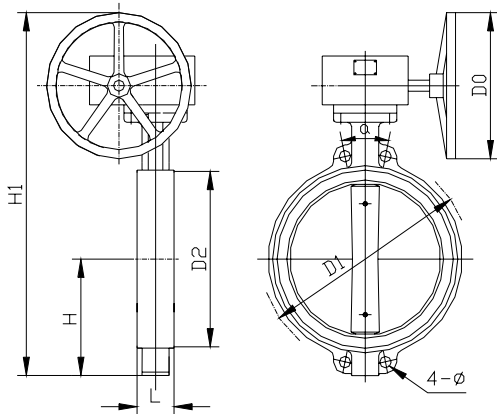
代号 Symbol	C	I	P	R	V
阀体材料 Body Material	WCB, 20, LCB, LC2, LC3	ZG1Cr5Mo	CF8, CF3	CF8M, CF8M	ZG20CrMoV

D3T019~60075E-10~25

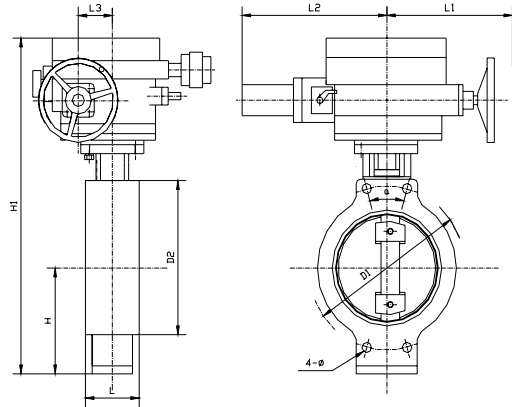
D9T019~60075E-10~25

对夹三偏心金属密封蝶阀

Wafer Tri-eccentric Metal-to-Metal Seal Butterfly Valve



D375E 结构简图
D375E structure diagram



D975E 结构简图
D975E structure diagram

主要外形尺寸和连接尺寸

Main Figure Dimension and Joint Dimension

PN	DN	L	D2	D1	a	4-φ	蜗轮传动 worm-gear			电 动 electromotion	
							D0	H	H1	H	H1
1.0 MPa	100	64	155	180	45	4-18	250	165	560	165	685
	150	76	210	240	45	4-22	250	200	630	200	755
	200	89	265	295	45	4-22	320	230	750	230	891
	250	114	320	350	30	4-22	400	260	860	260	959
	300	114	368	400	30	4-22	400	300	960	300	1069
	350	127	428	460	22.5	4-22	400	320	1020	320	1130
	400	140	482	515	22.5	4-26	560	340	1120	340	1312
	450	152	532	565	18	4-26	560	360	1180	360	1258
	500	152	585	620	18	4-26	560	400	1290	400	1368
	600	178	685	725	18	4-30	640	470	1420	470	1395
	700	229	800	840	15	4-30	640	520	1550	520	1525
	800	241	905	950	15	4-33	640	580	1650	580	1625
	900	241	1005	1050	12.86	4-36	640	640	1765	640	1780
	1000	300	1115	1160	12.86	4-36	640	705	1880	705	1900
	1200	360	1325	1380	11.25	4-39	750	810	2100	810	2145
	1400	390	1530	1590	10	4-42	750	925	2325	925	2380
1600	440	1750	1820	9	4-48	750	1035	2540	1035	2680	

成都乘风阀门有限责任公司

CHENGDU CHENGFENG VALVE CO., LTD.

PN	DN	L	D2	D1	a	4-φ	蜗轮传动 worm-gear			电 动 electromotion	
							D0	H	H1	H	H1
1.6 MPa	100	64	155	180	45	4-18	250	165	560	165	685
	150	76	210	240	45	4-22	250	200	630	200	755
	200	89	265	295	30	4-22	320	230	750	230	891
	250	114	320	355	30	4-26	400	260	860	260	959
	300	114	375	410	30	4-26	400	300	960	300	1069
	350	127	435	470	22.5	4-26	400	320	1020	320	1130
	400	140	485	525	22.5	4-30	560	340	1120	340	1312
	450	152	545	585	18	4-30	560	360	1180	360	1258
	500	152	608	650	18	4-33	560	400	1290	400	1368
	600	178	718	770	18	4-36	640	470	1420	470	1395
	700	229	788	840	15	4-36	640	520	1550	520	1525
	800	241	898	950	15	4-39	640	580	1650	580	1625
	900	241	998	1050	12.86	4-39	640	640	1765	640	1780
	1000	300	1110	1170	12.86	4-42	640	705	1880	705	1900
	1200	360	1325	1390	11.25	4-48	750	810	2100	810	2145
	1400	390	1530	1590	10	4-48	750	925	2325	925	2380
1600	440	1750	1820	9	4-56	750	1035	2540	1035	2680	
2.5 MPa	100	64	160	190	45	4-22	250	165	560	165	685
	150	76	218	250	45	4-26	250	200	630	200	755
	200	89	278	310	30	4-26	320	230	750	230	891
	250	114	332	370	30	4-30	400	260	860	260	959
	300	114	390	430	22.5	4-30	400	300	960	300	1069
	350	127	450	490	22.5	4-33	400	320	1020	320	1130
	400	140	505	550	22.5	4-36	560	340	1120	340	1312
	450	152	555	600	18	4-36	560	360	1180	360	1258
	500	152	610	660	18	4-36	560	400	1290	400	1368
	600	178	718	770	18	4-39	640	470	1420	470	1395
	700	229	815	875	15	4-42	640	520	1550	520	1531
	800	241	930	990	15	4-48	640	580	1650	580	1820
	900	241	1028	1090	15	4-48	640	640	1765	640	1935
1000	300	1140	1210	12.86	4-56	640	705	1880	705	2050	

*表中数据有可能随着公司产品的更新换代而发生改变，请在订货时向销售人员咨询确认。

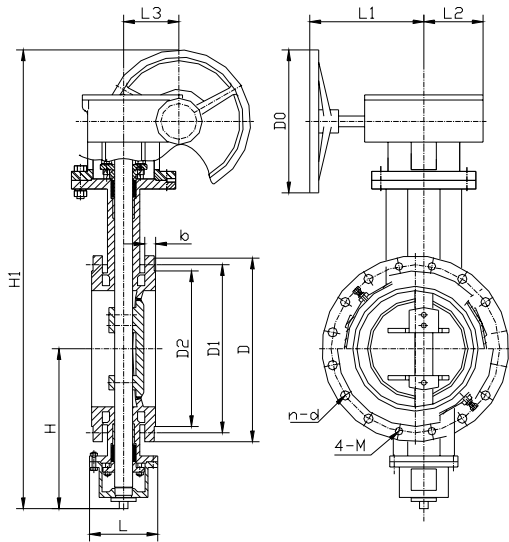
*The data in the table may change according with rebirth. Please consult and affirm it to sales men when place an order.

DB3T_{190~600}45E-10~25

DB9T_{190~600}45E-10~25

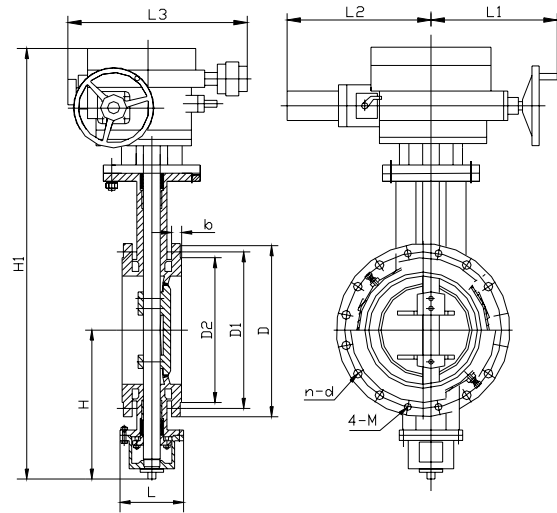
蜗轮传动或电动三偏心金属密封保温蝶阀

Worm-gear or Electric Actuator Operated Tri-eccentric Metal Seal Insulate Butterfly Valve



DB345 结构简图

DB345 Structure Diagram



DB945 结构简图

DB945 Structure Diagram

主要外形尺寸和连接尺寸

Main Figure Dimension and Joint Dimension

PN	DN	L	D	D1	D2	b	n-d	4-M	蜗 轮 传 动 worm-gear						电 动 electromotion					
									D0	H1	H	L1	L2	L3	功率 kw	H1	H	L1	L2	L3
1.0 MPa	100	140	250	210	185	22	4-18	4-16	250	630	200	176	88	65	0.25	560	165	176	88	394
	125	140	285	240	210	24	4-22	4-20	250	657	200	176	88	65	0.25	630	200	176	88	394
	150	152	340	295	265	24	4-22	4-20	320	750	230	200	120	81	0.55	742	230	351	120	394
	200	165	395	350	320	26	8-22	4-20	400	860	260	292	165	151	1.10	812	260	410	165	394
	250	178	445	400	368	26	8-22	4-20	400	960	300	292	165	151	1.10	912	300	410	165	394
	300	190	505	460	428	26	12-22	4-20	400	1020	320	327	170	244	1.10	1036	320	429	170	891
	350	216	565	515	482	26	12-26	4-24	400	1160	360	327	170	244	1.10	1176	360	429	170	891
	400	222	615	565	532	28	16-26	4-24	560	1240	390	345	165	288	1.50	1256	390	293	165	891
	450	229	670	620	585	28	16-26	4-24	560	1340	425	345	165	288	1.50	1356	425	293	165	891
	500	267	780	725	685	30	20-30	-	560	1545	500	442	170	378	1.50	1561	500	520	170	891
	600	292	895	840	800	30	24-30	-	640	1645	570	442	170	378	1.50	1661	570	520	170	891
	700	318	1015	950	905	32	24-33	-	640	1745	600	442	170	378	2.20	1761	600	520	170	891
	800	330	1115	1050	1005	34	28-33	-	640	1860	650	520	225	449	2.20	1892	650	600	225	1021
	900	410	1230	1160	1115	34	28-36	-	640	1960	710	520	225	449	2.20	1992	710	600	225	1021
	1000	470	1455	1380	1325	38	32-39	-	640	2170	815	520	225	449	2.20	2205	815	600	225	1021
	1200	530	1675	1590	1530	42	36-42	-	750	2390	900	615	270	614						
1400	600	1915	1820	1750	46	40-48	-	750	2620	1020	615	270	614							
1600	670	2115	2020	1950	50	44-48	-	750	2845	1120	615	270	614							
1800	760	2325	2440	2150	54	48-48	-	800	3070	1220	710	365	729							

成都乘风阀门有限责任公司

CHENGDU CHENGFENG VALVE CO., LTD.

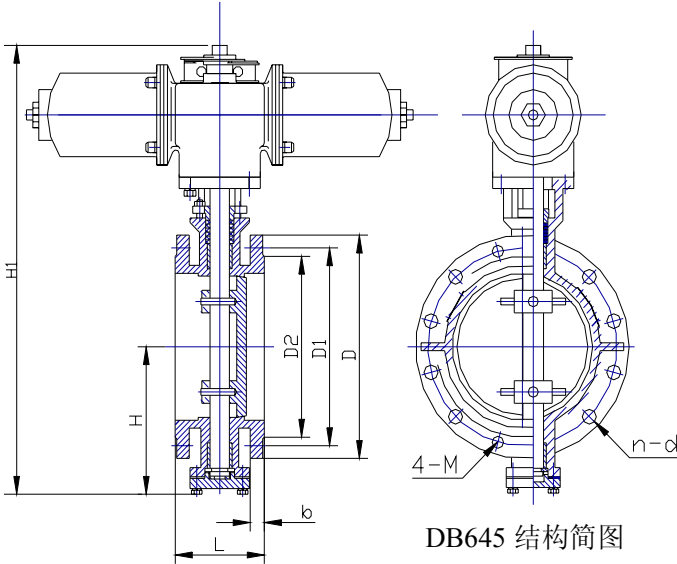
PN	DN	L	D	D1	D2	b	n-d	4-M	蜗 轮 传 动 worm-gear						电 动 electromotion					
									D0	H1	H	L1	L2	L3	功率 kw	H1	H	L1	L2	L3
	2000	1000	2550	2650	2370	58	52-56	-	800	3310	1335	710	365	729						
	2200	1100	2760	2850	2570	60	56-56	-	800	3545	1390	820	500	854						
	2400	1200	2960	2850	2695	64	60-56	-	800	3780	1550	820	500	854						
1.6 MPa	100	140	250	210	185	22	4-18	4-16	250	560	165	176	88	65	0.25	560	165	176	88	394
	125	140	285	240	210	24	4-22	4-20	250	630	200	176	88	65	0.25	657	200	331	88	394
	150	152	340	295	265	24	8-22	4-20	320	750	230	200	120	65	0.55	742	230	351	120	394
	200	165	405	355	320	26	8-26	4-24	400	860	260	292	165	151	1.10	812	260	410	165	394
	250	178	460	410	370	28	8-26	4-24	400	960	300	292	165	151	1.10	912	300	410	165	394
	300	190	520	470	430	30	12-26	4-24	400	1020	320	327	170	244	1.10	1036	320	429	170	891
	350	216	580	525	485	32	12-30	4-27	560	1160	360	327	170	244	1.10	1176	360	429	170	891
	400	222	640	585	545	34	16-30	4-27	560	1240	390	345	150	288	1.50	1256	390	293	165	891
	450	229	715	650	608	36	16-33	4-30	560	1340	425	345	150	288	1.50	1356	425	293	165	891
	500	267	840	770	718	38	20-36	-	640	1545	500	442	170	378	1.50	1561	500	520	170	891
	600	292	910	840	788	38	24-36	-	640	1645	570	442	170	378	1.50	1661	570	520	170	891
	700	318	1025	950	898	38	24-39	-	640	1745	600	442	170	378	2.20	1761	600	520	170	891
	800	330	1125	1050	998	40	28-39	-	640	1860	650	520	225	449	2.20	1892	650	600	225	1021
	900	410	1255	1170	1110	42	28-42	-	640	1960	710	520	225	449	2.20	1992	710	600	225	1021
	1000	470	1485	1390	1325	48	32-48	-	640	2170	815	520	225	449	2.20	2205	815	600	225	1021
	1200	530	1685	1590	1530	56	36-48	-		2390	915	615	270	614						
	1400	600	1930	1820	1750	60	40-56	-		2620	1028	615	270	614						
1600	670	2130	2020	1950	64	44-56	-		2845	1128	615	270	614							
1800	760	2345	2230	2150	68	48-62	-		3070	1320	710	365	729							
2000	1000	2555	2440	2370	72	52-62	-		3310	1335	710	365	729							
2.5 MPa	100	200	270	220	188	26	4-26	4-24	250	560	165	176	88	65	0.25	560	165	176	88	394
	125	210	300	250	218	28	4-26	4-24	250	630	200	176	88	65	0.25	657	200	331	88	394
	150	230	360	310	278	30	8-26	4-24	320	750	230	200	120	81	0.55	742	230	351	120	394
	200	250	425	370	332	32	8-30	4-27	400	860	260	292	165	151	1.10	812	260	410	165	394
	250	270	485	430	390	36	12-30	4-27	400	960	300	292	165	151	1.10	912	300	410	165	394
	300	290	555	490	448	40	12-33	4-30	400	1020	320	327	170	244	1.10	1036	320	429	170	891
	350	310	620	550	505	44	16-36	-	560	1160	360	327	170	244	1.10	1176	360	429	170	891
	400	330	670	600	555	46	20-36	-	560	1240	390	345	165	288	1.50	1256	390	293	165	891
	450	350	730	660	610	48	20-36	-	560	1340	425	345	165	288	1.50	1356	425	293	165	891
	500	390	845	770	718	54	20-39	-	640	1545	500	442	170	378	1.50	1561	500	520	170	891
	600	430	960	875	815	58	24-42	-	640	1645	570	442	170	378	1.50	1661	570	520	170	891
	700	470	1085	990	930	60	24-48	-	640	1745	600	442	170	378	2.20	1761	600	520	170	891
	800	510	1185	1090	1028	66	28-48	-	640	1860	650	520	225	449	2.20	1892	650	600	225	1021
	900	550	1320	1210	1140	68	28-56	-	640	1960	710	520	225	449	2.20	1992	710	600	225	1021
1000	630	1420	1310	1240	70	32-56	-	750	2170	815	520	225	449	2.20	2205	815	600	225	1021	

#: 气动保温蝶阀的气动部分尺寸参见 P 气动三偏心蝶阀 Please see pneumatic tri-eccentric butterfly valve for structure of the pneumatic part of pneumatic insulation butterfly valve.

D6T019-60045E-10~25

气动三偏心金属密封蝶阀

Pneumatic Tri-Eccentric Metal-to-Mental Seal Butterfly Valve



DB645 结构简图

Brief Illustration of Structure for DB645

1. 气源压力 0.4~0.8Mpa, 泄漏率 ≤ 1%。
2. Air pressure ranges from 0.4 to 0.8Mpa. Leakage rate equals or less than 1%.
3. 法兰连接尺寸按 JB/T79 系列 1 的规定, 结构长度按 GB12221 的规定, 配对法兰采用 JB/T82.1-94 系列 1。

Flange connection dimension accords with the stipulation in Series 1 of JB/T79. End-to-end dimension accords with GB12221. Companion flange adopts Series 1 of JB/T82.1-94.

主要外形尺寸和连接尺寸

Dimension of Main Configuration and Connection

PN	DN	L	D	D1	D2	b	n-d	4-M	H	H1
1.0 MPa	100	127	220	180	155	22	4-18	4-M16	165	560
	125	140	250	210	185	22	4-18	4-M16	180	595
	150	140	285	240	210	24	4-22	4-M20	200	630
	200	152	340	295	265	24	4-22	4-M20	230	750
	250	165	395	350	320	24	8-22	4-M20	260	860
	300	178	445	400	368	26	8-22	4-M20	300	960
	350	190	505	460	428	26	12-23	4-M20	320	1020
	400	216	565	515	482	26	12-26	4-M24	360	1160
	450	222	615	565	532	28	16-26	4-M24	390	1240
	500	229	670	620	585	28	16-26	4-M24	425	1340
	600	267	780	725	685	30	20-30	-	500	1545
	700	292	895	840	800	30	24-30	-	570	1645
	800	318	1015	950	905	32	24-33	-	600	1745
	900	330	1115	1050	1005	34	28-33	-	650	1860
	1000	410	1230	1160	1115	34	28-36	-	710	1960
	1200	470	1455	1380	1325	38	32-39	-	815	2170
	1400	530	1675	1590	1530	42	36-42	-	900	2390
1600	600	1915	1820	1750	46	40-48	-	1020	2620	
1800	670	2115	2020	1950	50	44-48	-	1120	2845	
2000	760	2325	2440	2150	54	48-48	-	1220	3070	
2200	1000	2550	2650	2370	58	52-56	-	1335	3310	
2400	1100	2760	2850	2570	60	56-56	-	1440	3545	

成都乘风阀门有限责任公司

CHENGDU CHENGFENG VALVE CO., LTD.

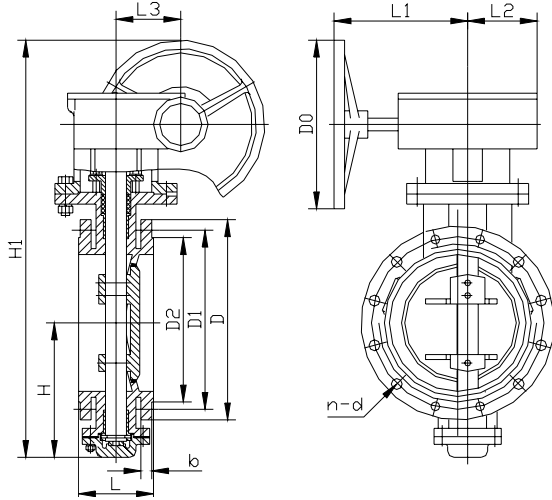
PN	DN	L	D	D1	D2	b	n-d	4-M	H	H1
1.6 MPa	100	127	220	180	155	22	4-18	4-M16	165	560
	125	140	250	210	185	22	4-18	4-M16	180	595
	150	140	285	240	210	24	4-22	4-M20	200	630
	200	152	340	295	265	24	8-22	4-M20	230	750
	250	165	405	355	320	26	8-26	4-M24	260	860
	300	178	460	410	370	28	8-26	4-M24	300	960
	350	190	520	470	430	30	12-26	4-M24	320	1020
	400	216	580	525	485	32	12-30	4-M27	360	1160
	450	222	640	585	545	34	16-30	4-M27	390	1240
	500	229	715	650	608	36	16-33	4-M30	425	1340
	600	267	840	770	718	38	20-36	-	500	1545
	700	292	910	840	788	38	24-36	-	570	1645
	800	318	1025	950	898	38	24-39	-	600	1745
	900	330	1125	1050	998	40	28-39	-	650	1860
	1000	410	1255	1170	1110	42	28-42	-	710	1960
	1200	470	1485	1390	1325	48	32-48	-	815	2170
	1400	530	1685	1590	1530	56	36-48	-	915	2390
	1600	600	1930	1820	1750	60	40-56	-	1028	2620
1800	670	2130	2020	1950	64	44-56	-	1128	2845	
2000	760	2345	2230	2150	68	48-62	-	1320	3070	
2.5 MPa	100	190	235	190	160	24	4-22	4-M20	165	560
	125	200	270	220	188	26	4-26	4-M24	180	595
	150	210	300	250	218	28	4-26	4-M24	200	630
	200	230	360	310	278	30	8-26	4-M24	230	750
	250	250	425	370	332	32	8-30	4-M27	260	860
	300	270	485	430	390	36	12-30	4-M27	300	960
	350	290	555	490	448	40	12-33	4-M30	320	1020
	400	310	620	550	505	44	16-36	-	360	1160
	450	330	670	600	555	46	20-36	-	390	1240
	500	350	730	660	610	48	20-36	-	425	1340
	600	390	845	770	718	54	20-39	-	500	1545
	700	430	960	875	815	58	24-42	-	570	1645
	800	470	1085	990	930	60	24-48	-	600	1745
	900	510	1185	1090	1025	66	28-48	-	650	1860
1000	550	1320	1210	1140	68	28-56	-	710	1960	

D3T019-60043E-0.5~6

D9 T019-60043E-0.5~6

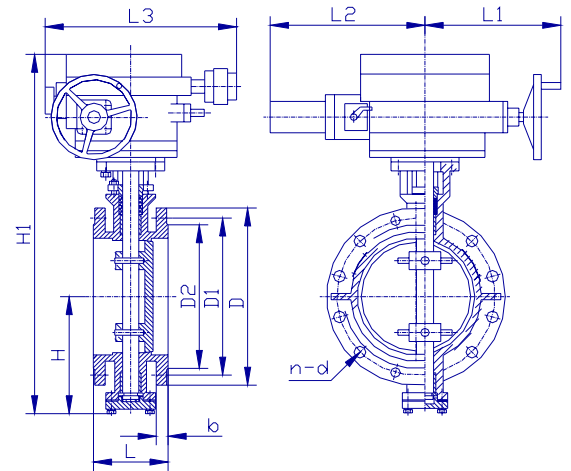
蜗轮传动或电动双偏心金属密封蝶阀

Worm Wheel Drive or Electric Double-Eccentric Metal-to-Metal Seal Butterfly Valve



D343 结构简图

Brief Illustration of Structure for D343



D943 结构简图

Brief Illustration of Structure for D943

主要外形尺寸和连接尺寸

Dimension of Main Configuration and Connection

PN	DN	L	D	D1	b	n-d	蜗轮传动 Worm Wheel Drive					电动 Electric					
							D0	H	H1	L1	L2	L3	H	H1	L1	L2	L3
0.05 MPa	100	127	210	170	18	4-18	250	115	308	195	47	147	115	604	195	47	147
	125	140	240	200	20	8-18	250	130	380	195	47	147	130	664	195	47	147
	150	140	265	225	20	8-18	250	145	415	228	69	172	145	694	195	47	147
	200	152	320	280	22	8-18	250	170	627	228	69	172	170	723	228	69	172
	250	165	375	335	24	12-18	250	210	692	228	69	172	210	937	228	69	172
	300	178	440	395	24	12-22	250	250	885	228	69	172	250	1060	228	69	172
	350	190	490	445	24	12-22	360	295	1003	228	69	172	295	1110	228	69	172
	400	216	540	495	24	16-22	360	330	1068	260	85	242	330	1150	260	85	242
	450	222	595	550	24	16-22	360	358	1200	260	85	242	358	1200	260	85	242
	500	229	645	600	26	20-22	360	380	1300	260	85	242	380	1250	260	85	242
	600	267	755	705	26	20-26	360	440	1450	320	105	336	440	1400	320	105	336
	700	292	860	810	26	24-26	400	510	1600	320	105	336	510	1500	320	105	336
	800	318	975	920	26	24-30	400	620	1700	320	105	336	620	1650	320	105	336
	900	330	1075	1020	26	24-30	400	680	1830	370	120	390	680	1800	370	120	390
	1000	410	1175	1120	26	28-30	500	720	1900	370	120	390	720	1950	370	120	390
	1200	470	1375	1320	26	32-30	500	850	2100	470	238	420	850	2150	470	238	420
	1400	530	1575	1520	26	36-30	500	900	2310	470	238	420	900	2320	470	238	420
1600	600	1790	1730	26	40-30	640	1015	2820	492	268	567	1015	2820	492	268	570	
1800	670	1990	1930	26	44-30	640	1124	3000	492	268	567	1124	3000	492	268	570	
2000	760	2190	2130	28	48-30	640	1290	3590	606	334	650	1290	3590	606	334	650	
2200	1000	2405	2340	28	52-33	750	1400	3790	606	334	650	1400-	3790	606	334	650	
2400	1100	2605	2540	28	56-33	750	1520	4000	640	395	685	1520-	4010	640	395	685	

成都乘风阀门有限责任公司

CHENGDU CHENGFENG VALVE CO., LTD.

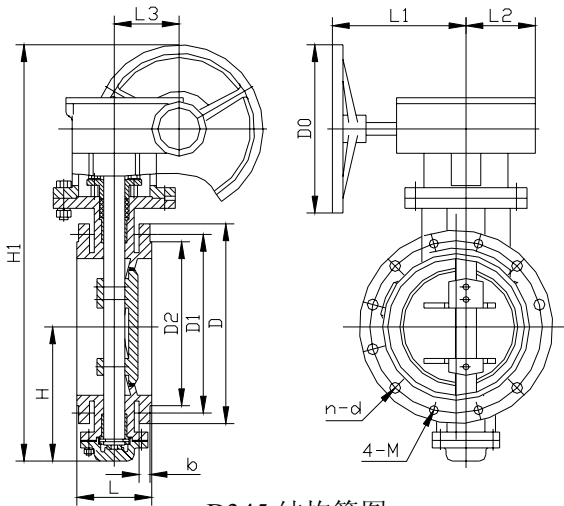
PN	DN	L	D	D1	b	n-d	蜗轮传动						电动				
							Worm Wheel Drive						Electric				
							D0	H	H1	L1	L2	L3	H	H1	L1	L2	L3
0.25 MPa	100	127	210	170	18	4-18	250	115	308	195	47	147	115	604	195	47	147
	125	140	240	200	20	8-18	250	130	380	195	47	147	130	664	195	47	147
	150	140	265	225	20	8-18	250	145	415	228	69	172	145	694	195	47	147
	200	152	320	280	22	8-18	250	170	627	228	69	172	170	723	228	69	172
	250	165	375	335	24	12-18	250	210	692	228	69	172	210	937	228	69	172
	300	178	440	395	24	12-22	360	250	885	228	69	172	250	1060	228	69	172
	350	190	490	445	24	12-22	360	295	1003	228	69	172	295	1110	228	69	172
	400	216	540	495	24	16-22	360	330	1068	260	85	242	330	1150	260	85	242
	450	222	595	550	24	16-22	360	358	1200	260	85	242	358	1200	260	85	242
	500	229	645	600	26	20-22	360	380	1300	260	85	242	380	1250	260	85	242
	600	267	755	705	26	20-26	400	440	1450	320	105	336	440	1400	320	105	336
	700	292	860	810	26	24-26	400	510	1600	320	105	336	510	1500	320	105	336
	800	318	975	920	26	24-30	400	620	1700	320	105	336	620	1650	320	105	336
	900	330	1075	1020	26	24-30	500	680	1830	370	120	390	680	1800	370	120	390
	1000	410	1175	1120	26	28-30	500	720	1900	370	120	390	720	1950	370	120	390
	1200	470	1375	1320	26	32-30	500	850	2100	470	238	420	850	2150	470	238	420
	1400	530	1575	1520	26	36-30	640	900	2310	470	238	420	900	2320	470	238	420
	1600	600	1790	1730	26	40-30	640	1015	2820	492	268	567	1015	2820	492	268	570
	1800	670	1990	1930	26	44-30	640	1124	3000	492	268	567	1124	3000	492	268	570
	2000	760	2190	2130	28	48-30	750	1290	3590	606	334	650	1290	3590	606	334	650
2200	1000	2405	2340	28	52-33	750	1400-	3790	606	334	650	1400-	3790	606	334	650	
2400	1100	2605	2540	28	56-33	750	1520-	4000	640	395	685	1520-	4010	640	395	685	
0.6 MPa	100	127	210	170	18	4-18	250	115	308	195	47	147	115	604	195	47	147
	125	140	240	200	20	8-18	250	130	380	195	47	147	130	664	195	47	147
	150	140	265	225	20	8-18	250	145	415	228	69	172	145	694	195	47	147
	200	152	320	280	22	8-18	250	170	627	228	69	172	170	723	228	69	172
	250	165	375	335	24	12-18	250	210	692	228	69	172	245	937	228	69	172
	300	178	440	395	24	12-22	360	250	885	228	69	172	270	1060	228	69	172
	350	190	490	445	24	12-22	360	295	1003	228	69	172	305	1110	228	69	172
	400	216	540	495	24	16-22	360	330	1068	260	85	242	330	1150	260	85	242
	450	222	595	550	24	16-22	360	358	1200	260	85	242	350	1200	260	85	242
	500	229	645	600	26	20-22	400	380	1300	260	85	242	380	1250	260	85	242
	600	267	755	705	26	20-26	400	440	1450	320	105	336	440	1400	320	105	336
	700	292	860	810	26	24-26	400	510	1600	320	105	336	510	1500	320	105	336
	800	318	975	920	26	24-30	500	620	1700	320	105	336	620	1650	320	105	336
	900	330	1075	1020	26	24-30	500	680	1830	370	120	390	680	1800	370	120	390
	1000	410	1175	1120	26	28-30	500	720	1900	370	120	390	720	1950	370	120	390
	1200	470	1405	1340	28	32-33	640	850	2100	470	238	420	850	2150	470	238	420
	1400	530	1630	1560	32	36-36	640	900	2310	470	238	420	900	2320	470	238	420
	1600	600	1830	1760	34	40-36	640	1015	2820	492	268	567	1015	2820	492	268	570
	1800	670	2045	1970	36	44-39	750	1124	3000	492	268	567	1124	3000	492	268	570
	2000	760	2265	2180	38	48-42	750	1290	3590	606	334	650	1290	3590	606	334	650
2200	1000	2475	2390	42	52-42	750	1400-	3790	606	334	650	1490	3790	606	334	650	
2400	1100	2685	2600	44	56-42	750	1520-	4000	640	395	685	1710	4010	640	395	685	

D3 T019-60045E-10~25

D9 T019-60045E-10~25

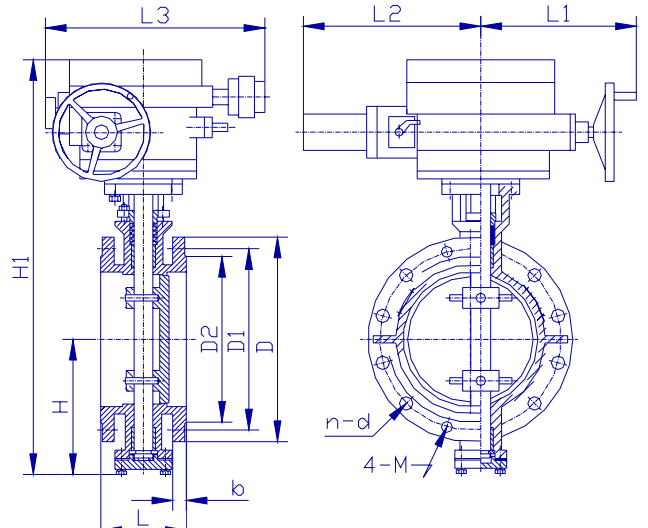
蜗轮传动或电动三偏心金属密封蝶阀

Worm Wheel Drive or Electric Double-Eccentric Metal-to-Metal Seal Butterfly



D345 结构简图

Brief Illustration of Structure for D345



D945 结构简图

Brief Illustration of Structure for D945

主要外形尺寸和连接尺寸

Dimension of Main Configuration and Connection

PN	DN	L	D	D1	D2	b	n-d	4-M	蜗 轮 传 动 Worm Wheel Drive						电 动 Electric					
									D0	H1	H	L1	L2	L3	功率 KW	H1	H	L1	L2	L3
1.0 MPa	100	127	220	180	155	22	4-18	4-16	250	560	165	176	88	65	0.25	587	165	331	88	394
	150	140	285	240	210	24	4-22	4-20	250	630	200	176	88	65	0.25	657	200	331	88	394
	200	152	340	295	265	24	4-22	4-20	320	750	230	200	120	81	0.55	742	230	351	120	394
	250	165	395	350	320	26	8-22	4-20	400	860	260	292	165	151	1.10	812	260	410	165	394
	300	178	445	400	368	26	8-22	4-20	400	960	300	292	165	151	1.10	912	300	410	165	394
	350	190	505	460	428	26	12-23	4-20	400	1020	320	327	170	244	1.10	1036	320	429	170	891
	400	216	565	515	482	26	12-26	4-24	400	1160	360	327	170	244	1.10	1176	360	429	170	891
	450	222	615	565	532	28	16-26	4-24	560	1240	390	345	165	288	1.5	1256	390	293	165	891
	500	229	670	620	585	28	16-26	4-24	560	1340	425	345	165	288	1.5	1356	425	293	165	891
	600	267	780	725	685	30	20-30	-	560	1545	500	442	170	378	1.5	1561	500	520	170	891
	700	292	895	840	800	30	24-30	-	640	1645	570	442	170	378	1.50	1661	570	520	170	891
	800	318	1015	950	905	32	24-33	-	640	1745	600	442	170	378	2.20	1761	600	520	170	891
	900	330	1115	1050	1005	34	28-33	-	640	1860	650	520	225	449	2.20	1892	650	600	225	1021
	1000	410	1230	1160	1115	34	28-3	-	640	1960	710	520	225	449	2.20	1992	710	600	225	1021
	1200	470	1455	1380	1325	38	32-39	-	640	2170	815	520	225	449	2.20	2205	815	600	225	1021
	1400	530	1675	1590	1530	42	36-42	-	750	2390	900	615	270	614						
	1600	600	1915	1800	1750	46	40-48	-	750	2620	1020	615	270	614						
1800	670	2115	2020	1950	50	44-48	-	750	2845	1120	615	270	614							
2000	760	2325	2230	2150	54	48-48	-	800	3070	1220	710	365	729							
2200	1000	2550	2440	2370	58	52-56	-	800	3310	1335	710	365	729							
2400	1100	2760	2650	2570	60	56-56	-	800	3545	1440	820	500	854							
2600	1200	2960	2850	2780	64	60-56	-	800	3780	1550	820	500	854							
2800	1300	3180	3070	3000	66	64-56	-	800	4010	1665	820	500	854							

成都乘风阀门有限责任公司

CHENGDU CHENGFENG VALVE CO., LTD.

PN	DN	L	D	D1	D2	b	n-d	4-M	蜗 轮 传 动 Worm Wheel Drive						电 动 Electric					
									D0	H1	H	L1	L2	L3	功率 KW	H1	H	L1	L2	L3
1.6 MPa	100	127	220	180	155	20	4-18	4-16	250	560	165	176	88	65	0.25	587	165	331	88	394
	150	140	285	240	210	22	4-22	4-20	250	630	200	176	88	65	0.25	657	200	331	88	394
	200	152	340	295	265	24	8-22	4-20	320	750	230	200	120	65	0.55	742	230	351	120	394
	250	165	405	355	320	26	8-26	4-24	400	860	260	292	165	151	1.10	812	260	410	165	394
	300	178	460	410	370	28	8-26	4-24	400	960	300	292	165	151	1.10	912	300	410	165	394
	350	190	520	470	430	32	12-26	4-24	400	1020	320	327	170	244	1.10	1036	320	429	170	891
	400	216	580	525	485	36	12-30	4-27	560	1160	360	327	170	244	1.10	1176	360	429	170	891
	450	222	640	585	545	38	16-30	4-27	560	1240	390	345	150	288	1.50	1256	390	293	165	891
	500	229	715	650	608	42	16-33	4-30	560	1340	425	345	150	288	1.50	1356	425	293	165	891
	600	267	840	770	718	46	20-36	-	640	1545	500	442	170	378	1.50	1561	500	520	170	891
	700	292	910	840	788	48	24-36	-	640	1645	570	442	170	378	1.50	1661	570	520	170	891
	800	318	1025	950	898	50	24-39	-	640	1745	600	442	170	378	2.20	1761	600	520	170	891
	900	330	1125	1050	998	52	28-39	-	640	1860	650	520	225	449	2.20	1892	650	600	225	1021
	1000	410	1255	1170	1110	54	28-42	-	640	1960	710	520	225	449	2.20	1992	710	600	225	1021
	1200	470	1485	1390	1325	56	32-48	-	640	2170	815	520	225	449	2.20	2205	815	600	225	1021
	1400	530	1575	1520	1480	60	36-48	-	750	2390	915	615	270	614						
1600	600	1790	1730	1690	64	40-56	-	750	2620	1028	615	270	614							
1800	670	1990	1930	1890	68	44-56	-	750	2845	1128	615	270	614							
2000	760	2190	2130	2090	72	48-62	-	800	3070	1320	710	365	729							
2.5 MPa	100	190	235	190	160	24	4-22	4-20	250	560	165	176	88	65	0.25	587	165	331	88	394
	150	210	300	250	218	28	4-26	4-24	250	630	200	176	88	65	0.25	657	200	331	88	394
	200	230	360	310	278	30	8-26	4-24	320	750	230	200	120	81	0.55	742	230	351	120	394
	250	250	425	370	332	32	8-30	4-27	400	860	260	292	165	151	1.10	812	260	410	165	394
	300	270	485	430	390	36	12-30	4-27	400	960	300	292	165	151	1.10	912	300	410	165	394
	350	290	555	490	448	40	12-33	4-30	400	1020	320	327	170	244	1.10	1036	320	429	170	891
	400	310	620	550	505	44	16-36	-	560	1160	360	327	170	244	1.10	1176	360	429	170	891
	450	330	670	600	555	46	20-36	-	560	1240	390	345	165	288	1.50	1256	390	293	165	891
	500	350	730	660	610	48	20-36	-	560	1340	425	345	165	288	1.50	1356	425	293	165	891
	600	390	845	770	718	54	20-39	-	640	1545	500	442	170	378	1.50	1561	500	520	170	891
	700	430	960	875	815	58	24-42	-	640	1645	570	442	170	378	1.50	1661	570	520	170	891
	800	470	1085	990	930	60	24-48	-	640	1745	600	442	170	378	2.20	1761	600	520	170	891
	900	510	1185	1090	1028	66	28-48	-	640	1860	650	520	225	449	2.20	1892	650	600	225	1021
1000	550	1320	1210	1140	68	28-56	-	640	1960	740	520	225	449	2.20	1992	740	600	225	1021	

六、订货须知

1. 为确保我们提供的产品能够完全满足您的实际订货需求, 请您在订货时, 标明所购阀门的公称通径、公称压力、结构长度标准、法兰结构尺寸标准、适用介质、温度、阀门驱动方式及其它特殊要求。公司将竭尽全力为您提供更完美的产品和更完善的服务。

2. 样本中的数据有可能因为产品标准或产品本身的更新换代而发生变化, 具体情况可向公司销售人员咨询确认。

六. Order Notices

1. For insuring our company's products can satisfy your practical order requirement, please indicate the DN, PN, end to end dimension, flanged structure dimension standard, medium in point, temperature, driving means and other special requirements before placing a order. Our company will supply more perfect products and services to you all out.

2. The data in the sample may change according with the standard of the products or the product-self, the details can consult or check to our company's sales men.